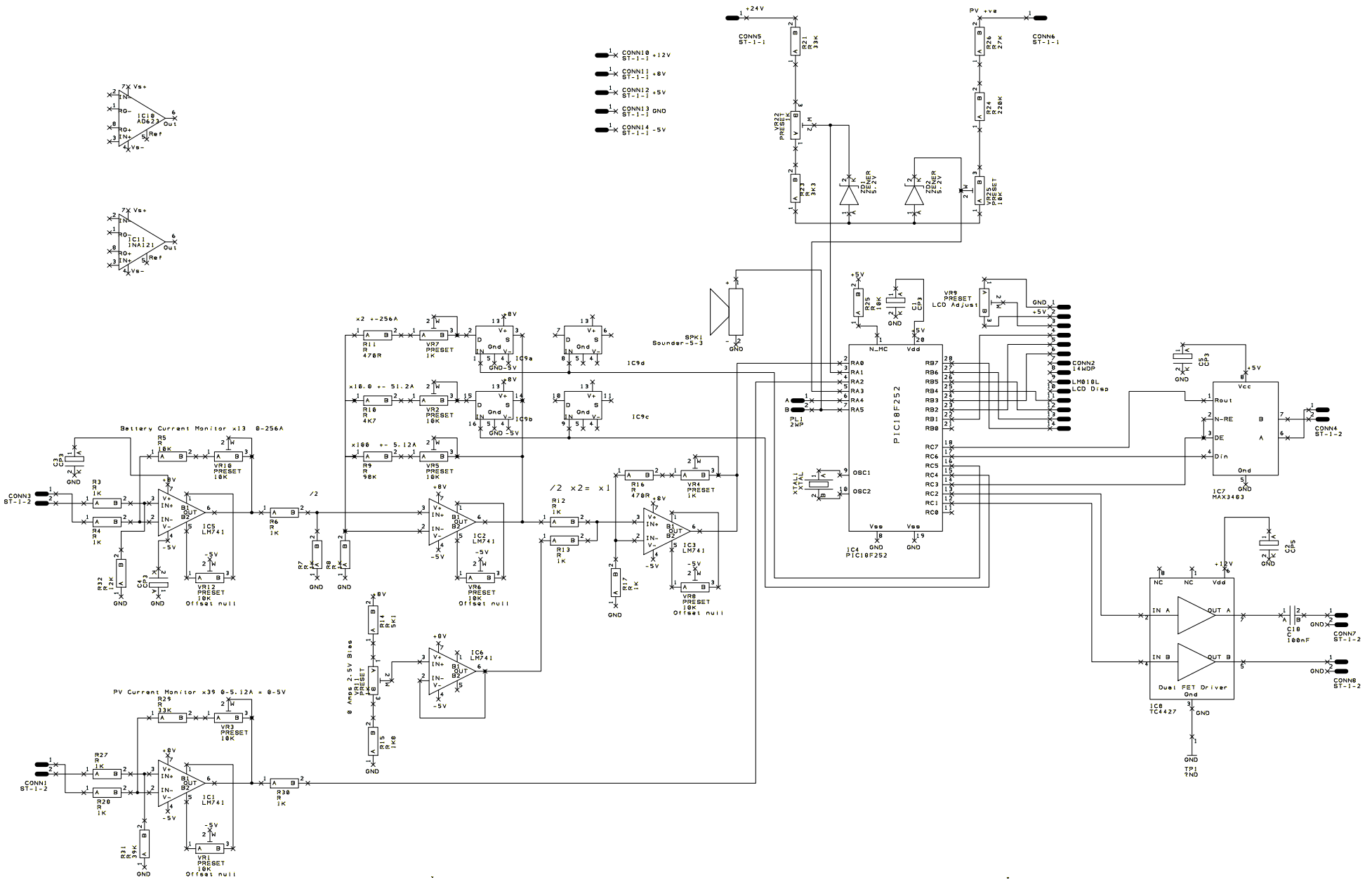


- CONN10 ST-1-1 +12V
- CONN11 ST-1-1 -8V
- CONN12 ST-1-1 +5V
- CONN13 ST-1-1 GND
- CONN14 ST-1-1 -5V



		Title:-	
Drawn By:-		PV-Reg Processor Board	
Issue date:-		Version:-	
2002/03/01		1.00	